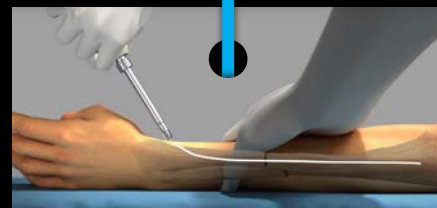


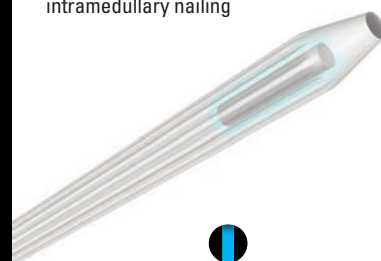
Do you need
information
about our
PAEDIATRIC
solutions?



MJ-Flex
The New Metaizeau Nail™



Activa IM-Nail™
Bioresorbable
intramedullary nailing



Eight-Plate
Guided Growth System™



JuniOrtho™
Telescopic Intramedullary Nail System

Rodeo™
Telescopic Nail



Galaxy Fixation
System
Paediatric sterile kits



TL-HEX
TrueLok Hexapod System™

JUST CALL US

Medeco-ch Sàrl

Route de Trélex 8
1266 Duillier
Suisse

Customer service:

Phone: +41 22 307 01 70

Fax: +41 22 362 11 85

info@medeco-ch.com

www.medeco-ch.com

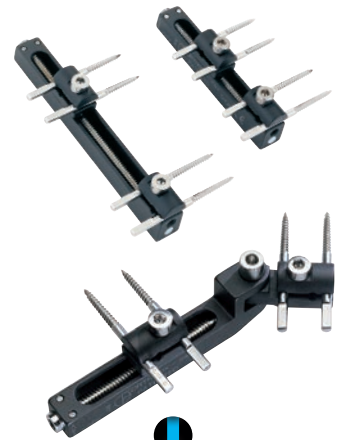
LRS

Limb Reconstruction System™
Paediatric



M2

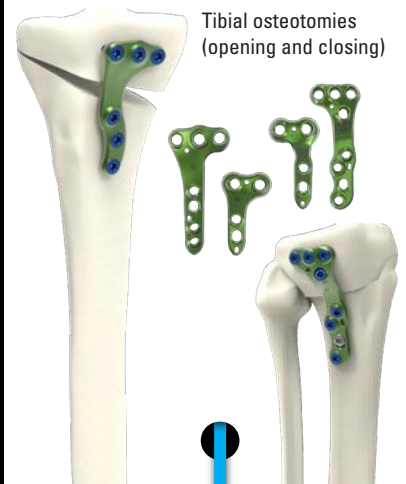
MultiPlanar MiniRail™ System



ActivaPin™
ActivaNail™
Bioresorbable

Activmotion S

Tibial osteotomies
(opening and closing)



BonAlive® granules

Bioactive resorbable synthetic bone void filler, inhibits bacterial growth

BonAlive® putty

Bioactive resorbable synthetic bone void filler osteoconductive, osteostimulative

